

Fiber Optic Patch Panel 1 Unit Slide



model: **FB-PP-1SL**

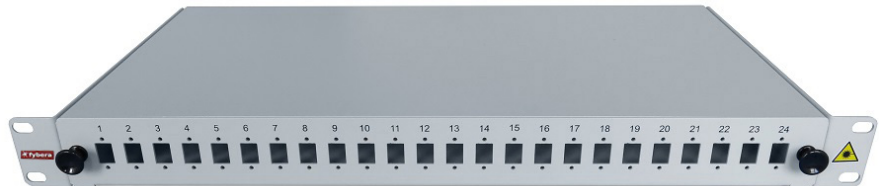
Applications:

The design of FB-PP-1SL fiber optic patch panel allows to easily install and maintain the fiber optic connections. The maximum number of ports is 24 in Duplex variant. The patch panels are produced in stanrd 19" dimensions and makes it easy to be mounted in standardized rack patch panel and due to the "movable ears" design they can also be mounted in a cabinet. A removable drawer with splice cas-sets provides an easy access to the splice places.



Features:

- 19" 1U, up to 24 ports SC duplex
- Movable rack mounting ears
- Angled cable entries PG 13,5
- Size: 19" x 1U x 220mm
- Sliding drawer
- Latching closing system
- Color: grey RAL 7035



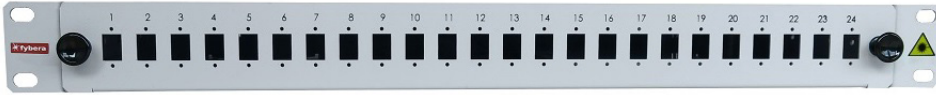
1U, 12 ports, SC simplex



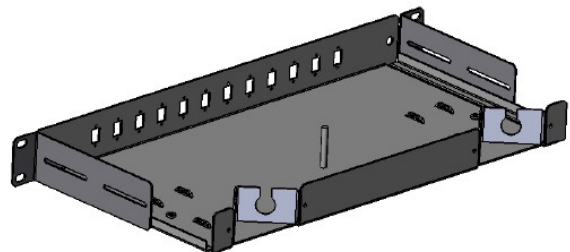
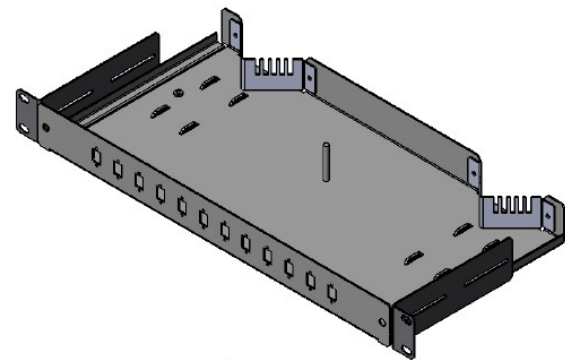
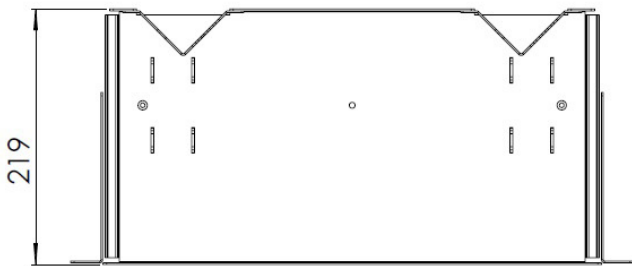
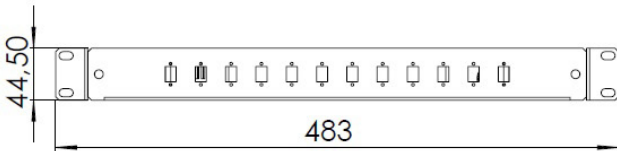
1U, 12 ports, SC duplex



1U, 24 ports, SC simplex



1U, 24 ports, SC duplex



The products are compliant with: PN-EN 60825-2:2005/A1:2007, EN ETS 300119, ITU-L.50:2003, TP S.A - ZN-96/TPSA-009 and others.

Ordering Examples

FB-PP-1SL-12SC	Slide 1U, 12 SC ports, simplex
FB-PP-1SL-12SCdx	Slide 1U, 12 SC ports, duplex
FB-PP-1SL-24SC	Slide 1U, 24 SC ports, simplex
FB-PP-1SL-24SCdx	Slide 1U, 24 SC ports, duplex